



APsystems EMEA(EZ1) Accessories

Rev 1.2

ALTENERGY POWER SYSTEM Inc.
emea.APsystems.com

APsystems EMEA
22 Avenue Lionel Terray, 69330 Jonage, France
Mail: info.emea@APsystems.com

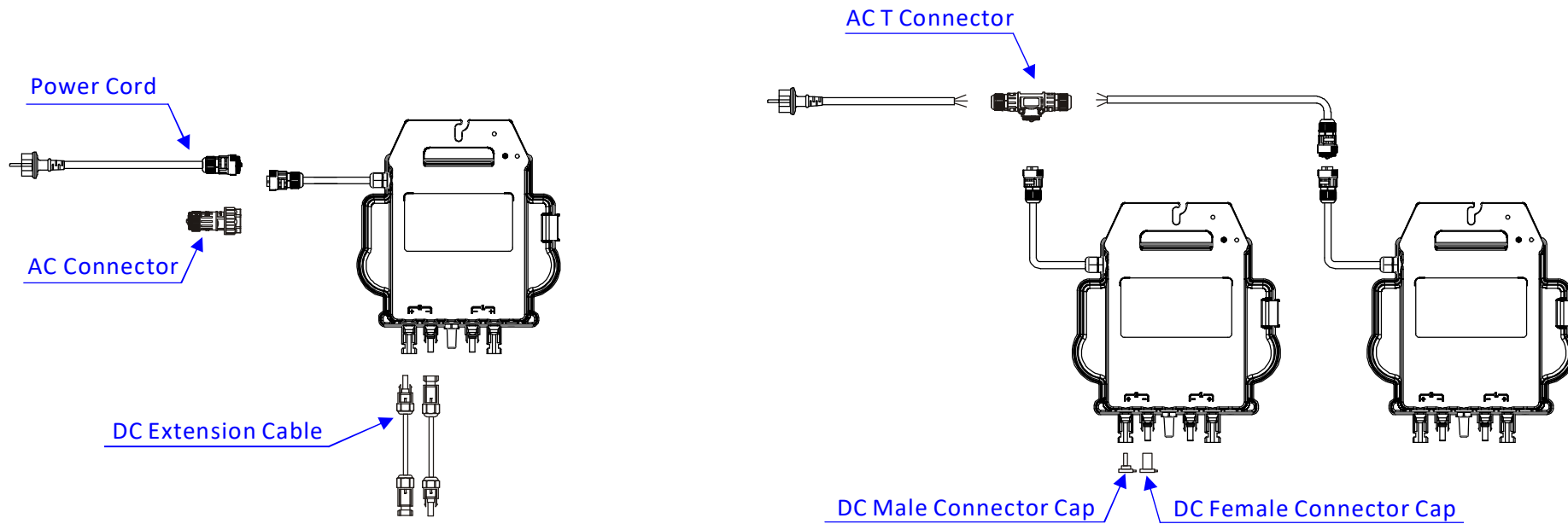
© All Rights Reserved

Contents

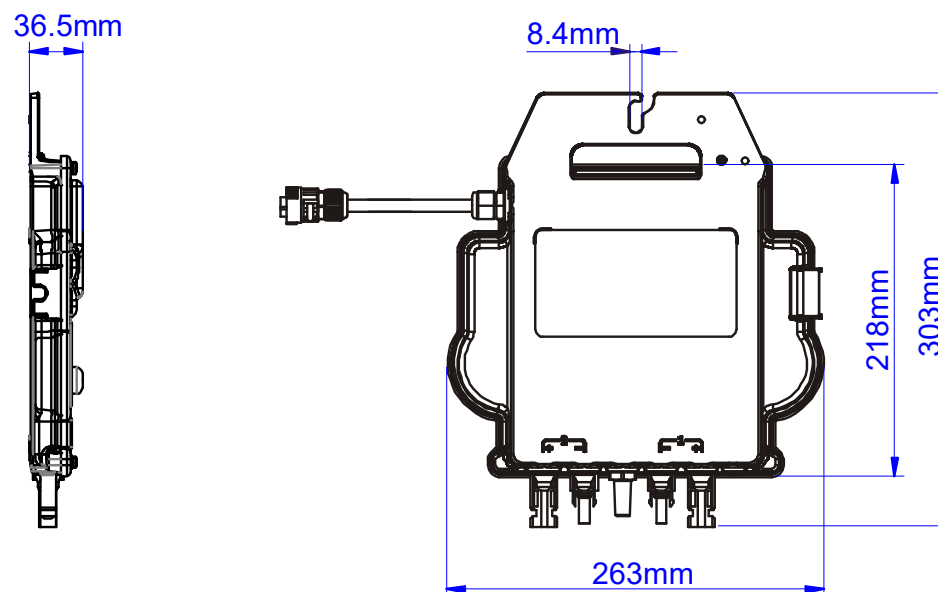
EZ1 Series Accessories	2
1. Wiring Diagram	2
2. EZ1 Dimensions	3
3. Accessories Summary	3
4. Physical Picture	4
5. Accessories information	5

EZ1 Series Accessories

1. Wiring Diagram



2. EZ1 Dimensions









3. Accessories Summary

Region	Accessories					
	Power Cord (Optional)	AC Connector (Female) (Optional)	AC T Connector (Optional)	DC Male Connector Cap (Optional)	DC Female Connector Cap (Optional)	DC Extension Cable (Optional)
Europe -S-EU (133018) -M-EU (132018)	2337011133_EU Power Cord(1.5mm ² ,5m) (See Pic. A)	2301132012_AC Extended Connector(3C,17.5A,Female) (See Pic. B)	2301232002_AC T Connector(3C,17.5A) (See Pic. C)	2060401006_DC Male Connector Cap (MC4) (See Pic. D)	2060402006_DC Female Connector Cap (MC4) (See Pic. E)	2310360214_2m DC Extension Cable (MC4) (See Pic. F)

Notes: The cables in this table are recommended by APsystems, and the O.D. and length of the cable can be customized according to customer needs.

APsystems EMEA
 22 Avenue Lionel Terray, 69330 Jonage, France
 emea.APsystems.com

4. Physical Picture

Power Cord	AC Connector	AC T Connector	DC Male Connector Cap	DC Female Connector Cap	DC Extension Cable
 <p data-bbox="212 740 280 767">Pic. A</p>	 <p data-bbox="562 740 629 767">Pic. B</p>	 <p data-bbox="916 740 983 767">Pic. C</p>	 <p data-bbox="1265 740 1332 767">Pic. D</p>	 <p data-bbox="1615 740 1682 767">Pic. E</p>	 <p data-bbox="1960 740 2027 767">Pic. F</p>

5. Accessories information

2337011133_EU Power Cord(1.5mm²,5m)

RoHS
REACH

CHANGE NO.	CHANGE CONTENTS	REV.	NAME/DATE

Packing

WIRE RUN LIST		
WIRE	P1	P2
BROWN	L	L
BLUE	N	N
YELLOW/GREEN	PE	PE

Notes:

- Cable: 3G1.5mm², UV resistance;
- The cable and connector connect firmly, has no looseness, scratches, crack and other defects;
- Use blank cartons for packaging.

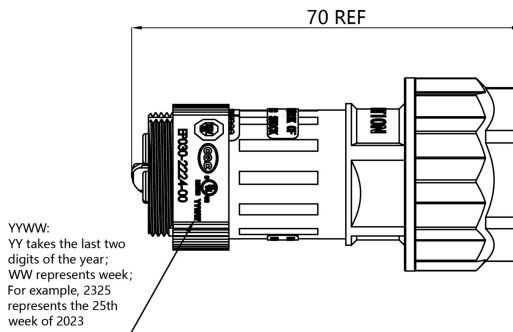
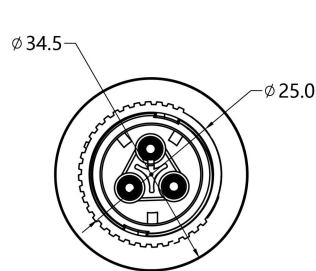
3	Plug		1	Schuko Plug		
2	AC Cable		1	3G1.5mm ² , Brown-Blue-Yellow/Green		
1	AC Connector (Female)	EP030-2224-00	1	17.5A, IP68		
NO.	NAME	TYPE	MAT.	QTY.	DESCRIPTION	REMARK
TOLERANCES UNLESS OTHERWISE SPECIFIED		MATERIAL				
电缆组件未注线性公差: > 0-100 ±5 > 2500-3500 ±45 > 100-500 ±10 > 3500-4500 ±50 > 500-900 ±15 > 4500-5500 ±65 > 900-1300 ±25 > 5500-6500 ±80 > 1300-1800 ±30 > 6500-8000 ±90 > 1800-2500 ±35 > 8000-10000 ±100						
DWN.		UNIT	mm	DRAWING NO.		
CHK.		SHEET	OF	REV.		

systems
stems EMEA
ge, France
emea.APsystems.com

2301132012_AC Extended Connector(3C,17.5A,Female)

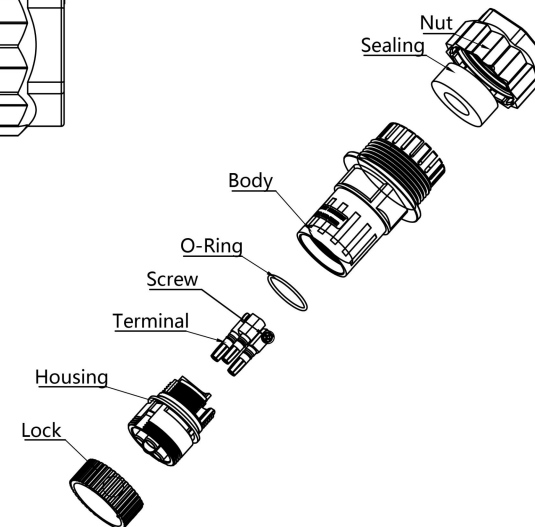
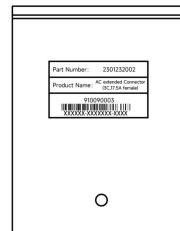


CHANGE NO.	CHANGE CONTENTS	REV.	NAME/DATE



YYYYW:
YY takes the last two digits of the year;
WW represents week;
For example, 2325 represents the 25th week of 2023

Packing



Technical Data:

Electrical:

- 1.Rated Voltage : TUV/CQC: 450V AC
UL: 600V AC;
- 2.Rated Impulse Voltage: 2500V;
- 3.Rated Current : 17.5A;
- 4.Contact Resistance : $\leq 10\text{m}\Omega$;
- 5.Insulation Resistance : $\geq 500\text{M}\Omega$;

Mechanical:


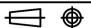
- 1.Cable Retention Force :
OD:9-12mm,F $\geq 100\text{N}$;
- 2.Mating and Unmating Force $\leq 80\text{N}$;
- 3.Cable OD : 9.5-11.5mm

Environmental:

- 1.Waterproof Rate : IP68 1m-1H;
- 2.Application Temperature : -40°C~+85°C;
- 3.Flamming Level : UL94-V2;

Material:

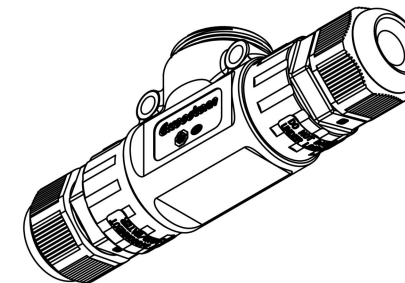
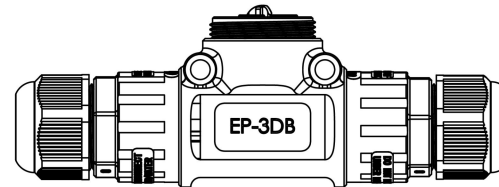
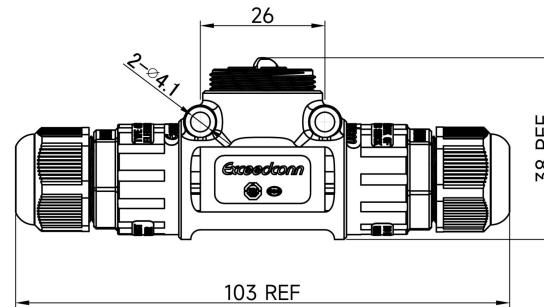
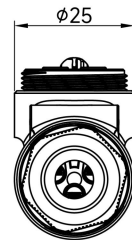
- 1.Plastic Material : PA66 and PA66 30%GF;
- 2.Terminal :Copper Alloy,Ni Plating;
- 3.Sealing Material: Silicone Rubber;
- 4.Screw Material: Fe Alloy, Ni Palting;

TOLERANCES UNLESS OTHERWISE SPECIFIED		MATERIAL		 NAME AC Extended Connector (3C,17.5A,female)
X.: ± 0.50	X": $\pm 3.00^\circ$			
.X: ± 0.30	.X": $\pm 2.00^\circ$			
.XX: ± 0.20	.XX": $\pm 1.00^\circ$			
.XXX: ± 0.10	.XXX": $\pm 0.50^\circ$			
DWN.	UNIT mm			DRAWING NO.
CHK.	SHEET -- OF --	REV.		

2301232002_AC T Connector(3C,17.5A)

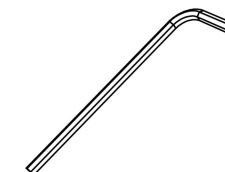
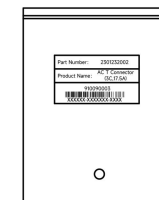


CHANGE NO.	CHANGE CONTENTS	REV.	NAME/DATE



Packing

Wrench



Notes:

Electrical

1. Rated Voltage: 250V;
2. Rated Current: 17.5A;
3. Contact Resistance: ≤10mΩ;
4. Insulation Resistance: ≥500MΩ;

Mechanical:



1. Mating Cycle: ≥500;
2. Cable Retention Force: ≥100N;
3. Sealing Size: φ11.5mm;
4. Cable O.D: 9.5~11.5mm;
5. Wire Size: 1.5mm²;

Environmental:

1. Waterproof Rate: IP68;
2. Application Temperature: -40°C~+85°C;
3. Flaming Level: UL94-V0;

Others:

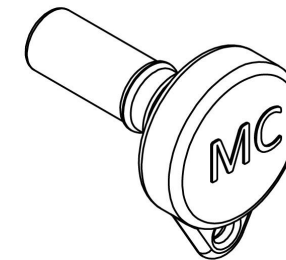
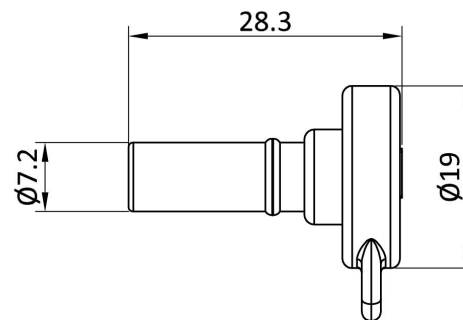
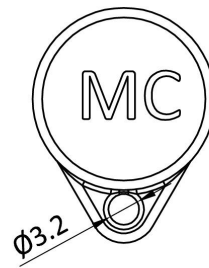
1. Type No.: EP-3DB;
2. Packaging: Blank Cartons

TOLERANCES UNLESS OTHERWISE SPECIFIED		MATERIAL		 ALTENERGY POWER
X:	±1.00	X*:	±3.00°	
.X:	±0.50	.X*:	±2.00°	AC T Connector(3C,17.5A)
.XX:	±0.20	.XX*:	±1.00°	DRAWING NO.
.XXX:	±0.10	.XXX*:	±0.50°	
DWN.	UNIT mm			
CHK.	SHEET --	OF --	REV.	




2060401006_DC Male Connector Cap (MC4)

RoHS

CHANGE NO.	CHANGE CONTENTS	REV.	NAME/DATE



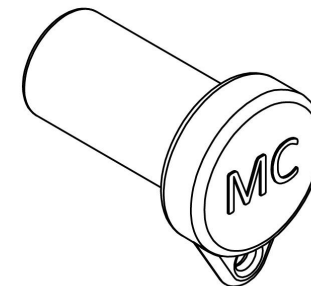
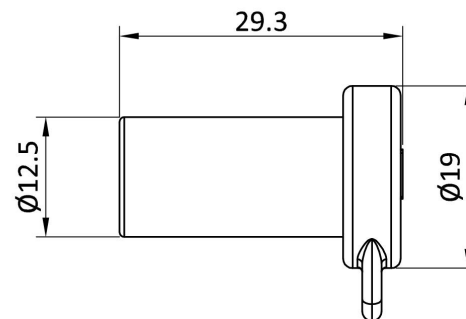
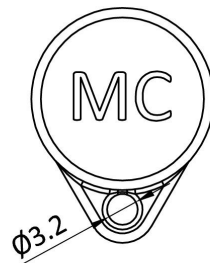
- Notes:
1. Type: PV-SVK4;
 2. Degree of protection: IP67;
 3. Use blank cartons for packaging

TOLERANCES UNLESS OTHERWISE SPECIFIED	MATERIAL		 APsystems ALTENERGY POWER
±0.5	TPE		
DWN.	UNIT mm	 	NAME DC Male Connector Cap (MC4)
CHK.	SHEET -- OF --	REV. 0.0	DRAWING NO. -



2060402006_DC Female Connector Cap (MC4)

RoHS

CHANGE NO.	CHANGE CONTENTS	REV.	NAME/DATE



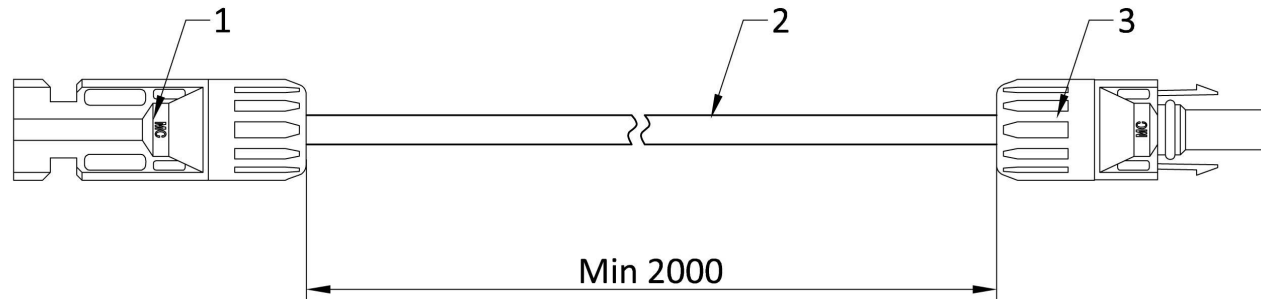
- Notes:
1. Type: PV-BVK4;
 2. Degree of protection: IP67;
 3. Use blank cartons for packaging


TOLERANCES UNLESS OTHERWISE SPECIFIED	MATERIAL		 ALTENERGY POWER
±0.5	TPE		
DWN.	UNIT mm		NAME DC Female Connector Cap (MC4)
CHK.	SHEET -- OF --	REV. 0.0	DRAWING NO. -

2310360214_2m DC Extension Cable (MC4)

RoHS

CHANGE NO.	CHANGE CONTENTS	REV.	NAME/DATE
②	Add alternative cable	0.2	YFT 2022-9-14
③	Add alternative cable	0.3	YFT 2022-11-24



3	DC Connector (female)	MC4 PV-KBT4/6II		1	Female, STAUBLI	
2	DC Cable	FLEX-SOL-EVO-DX 4.0		1	4.0mm ² /12AWG, TUV/UL certification	
		62930 IEC 131/PV H1Z2Z2-K /PV wire				
1	DC Connector (male)	MC4 PV-KST4/6II		1	Male, STAUBLI	
NO.	NAME	TYPE	MAT.	QTY.	DESCRIPTION	REMARK
TOLERANCES UNLESS OTHERWISE SPECIFIED		MATERIAL		 NAME 2m DC Extension Cable (MC4) DRAWING NO.		
>0-100	±5	>2500-3500	±45			
>100-500	±10	>3500-4500	±50			
>500-900	±15	>4500-5500	±65			
>900-1300	±25	>5500-6500	±80			
>1300-1800	±30	>6500-8000	±90			
>1800-2500	±35	>8000-10000	±100			
DWN.		UNIT	mm			
CHK.		SHEET	--	OF	--	REV. 0.3

Notes:

1. The DC cable and connector connect firmly, can sustain 100N·60s tension.
2. The pin concentric with plastic parts, ensure that there is no contradict phenomenon when male connector inserts into female connector.
3. Use Blank Cartons For Packaging.

Revision history		
Version	Change contents	Date
REV1.0	First edition	2023-04-17
REV1.1	Update the name of power cord	2023-06-16
REV1.2	Update AC connector	2023-06-29
Compile: ZiHan		Date: 2023-06-29
Audit: Tianxing		Date: 2023-06-29